

# CHART 1

## Spending on Council Priorities 2002/03 to 2004/05 Net Expenditure (£'000)

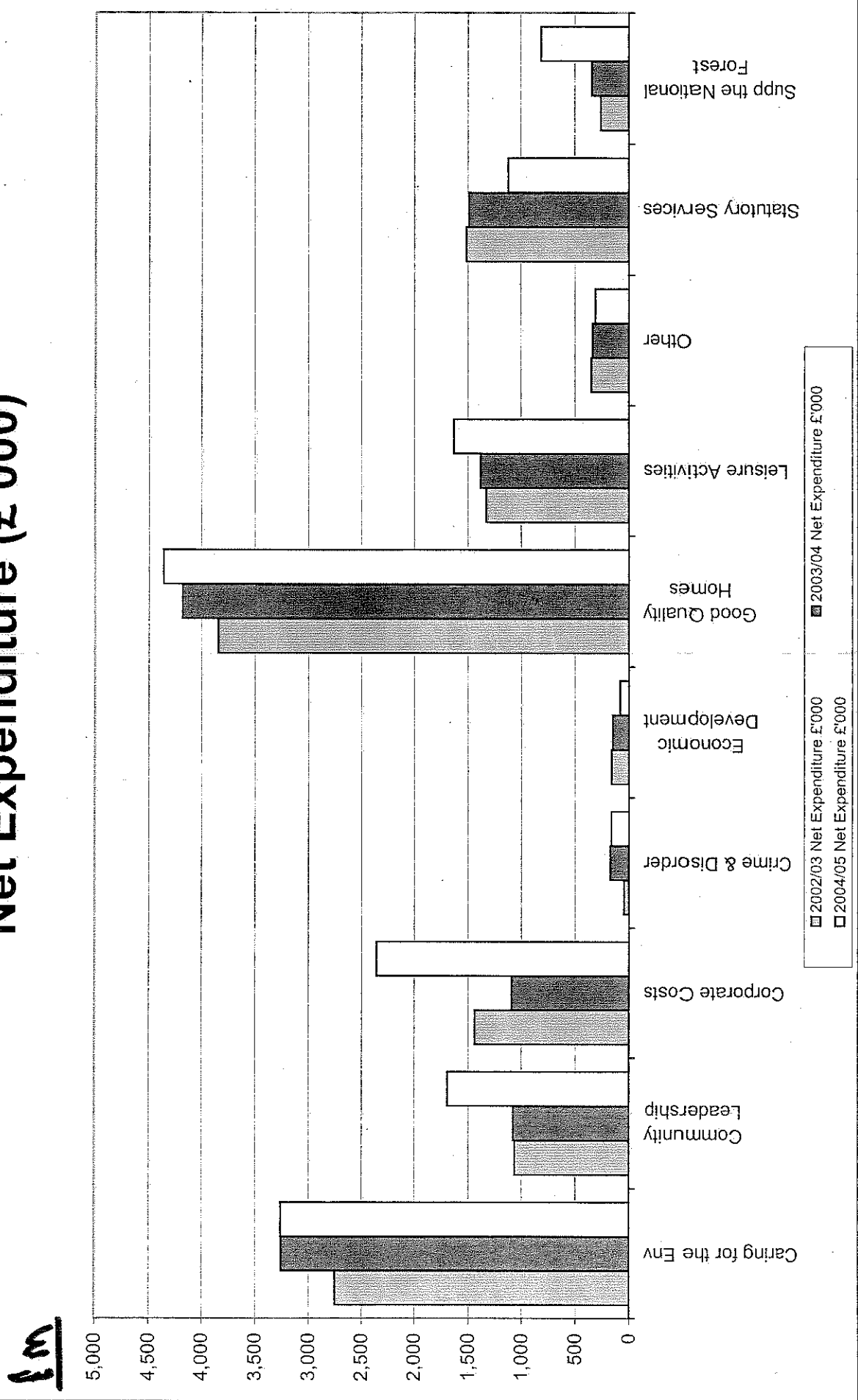
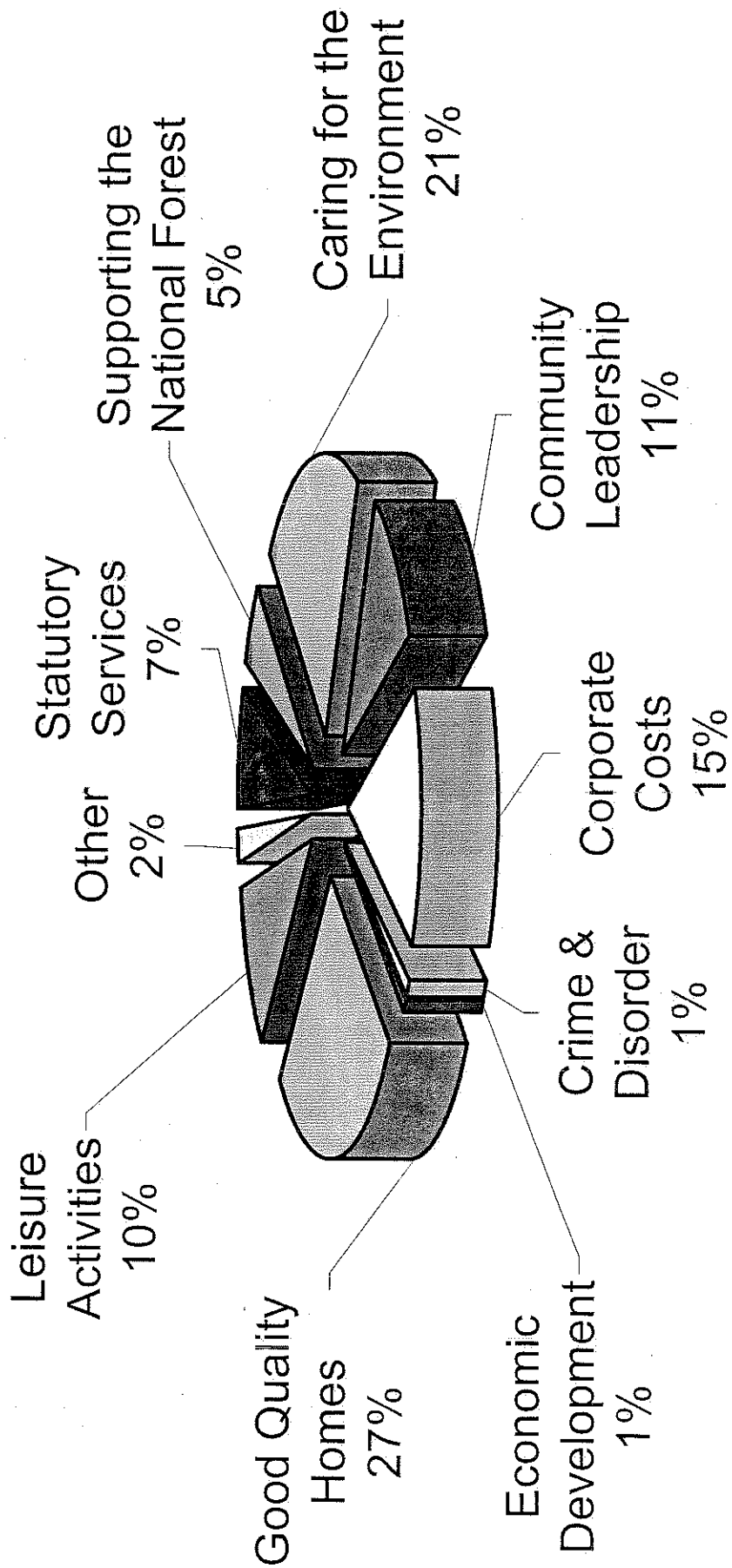


CHART 1

# CHART 2

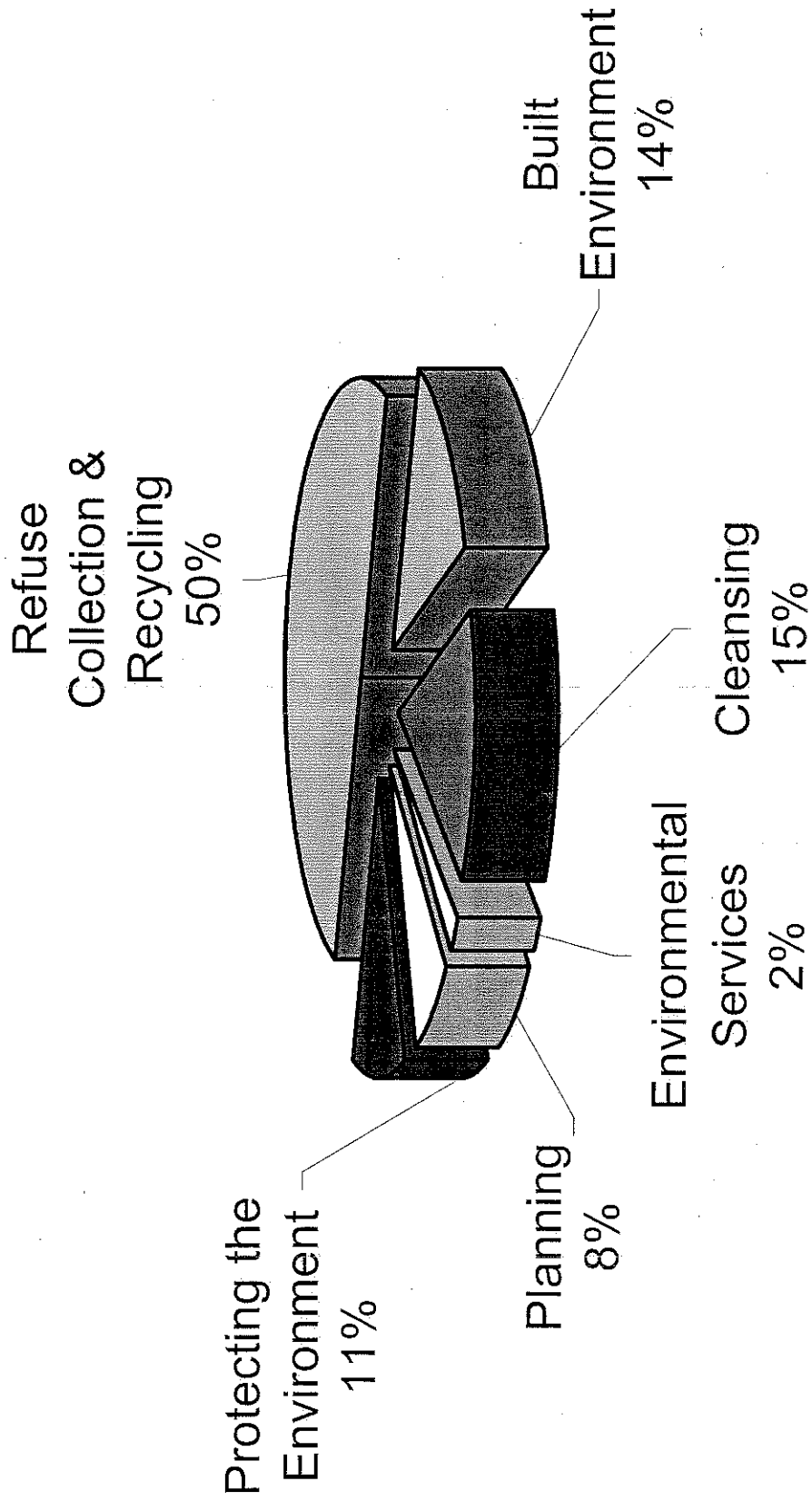
## CHART 2

### Spending on Council Priorities - 2004/05 Net Expenditure (£15,775,871)



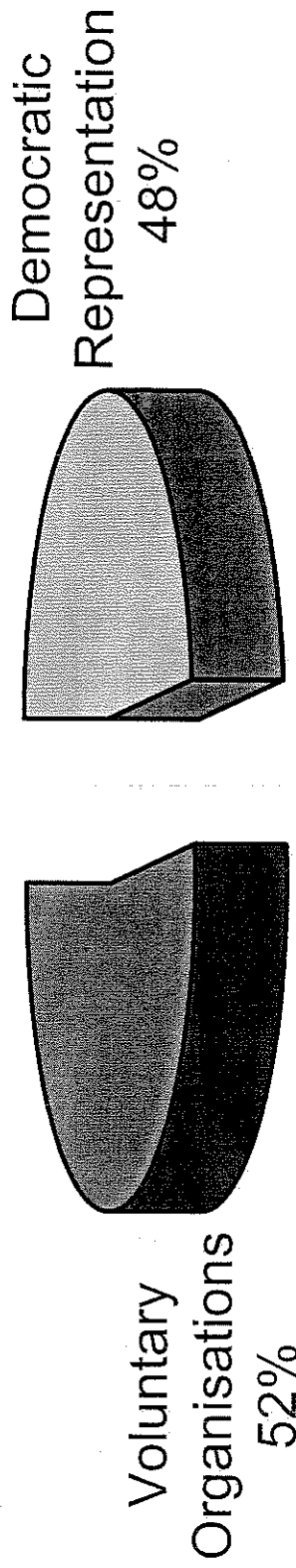
# CHART 3

## Caring for the Environment - 2004/05 Actual Net Expenditure (£3,258,888)



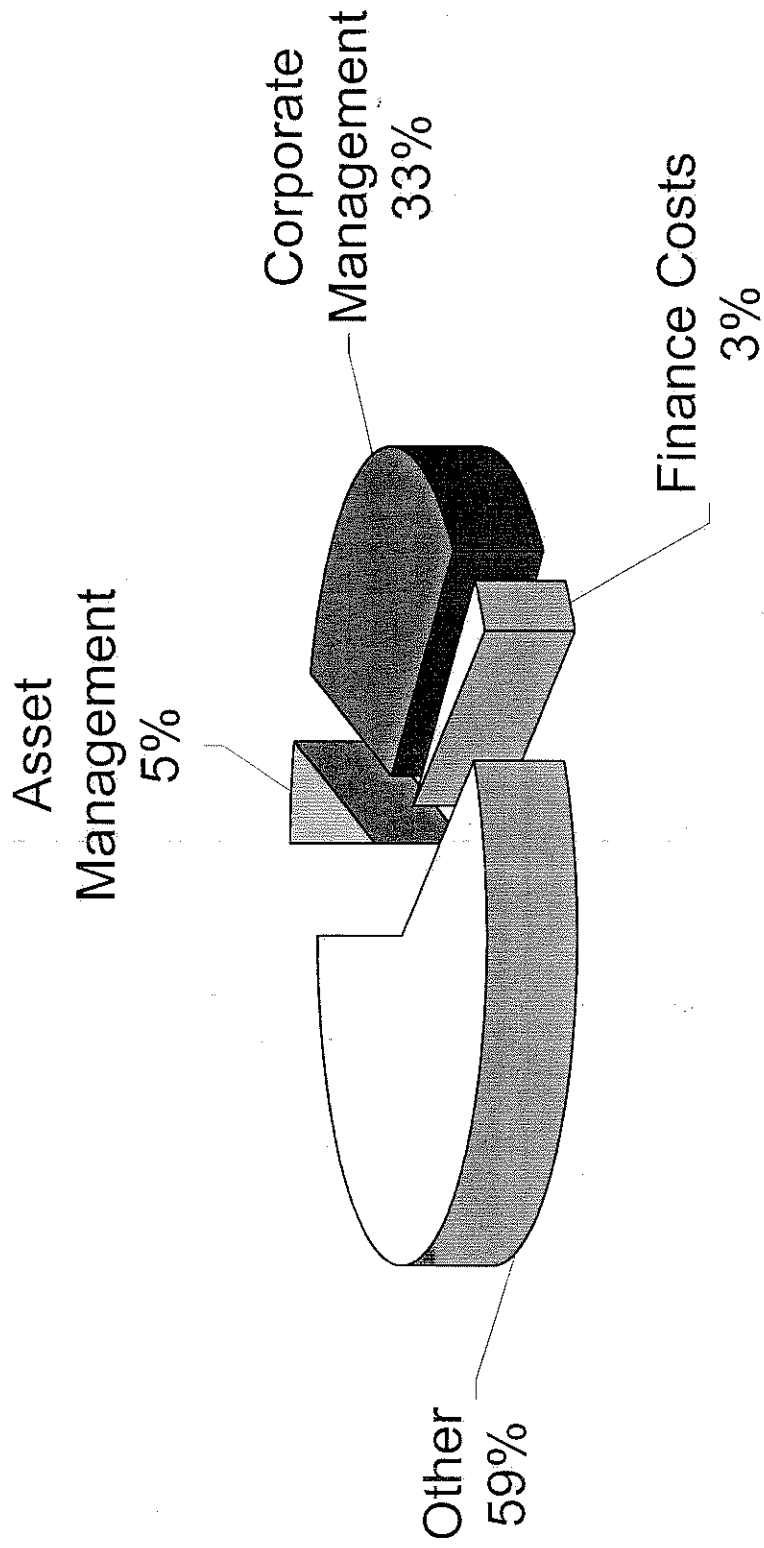
# CHART 4

## Community Leadership - 2004/05 Actual Net Expenditure (£1,692,786)



# CHART 5

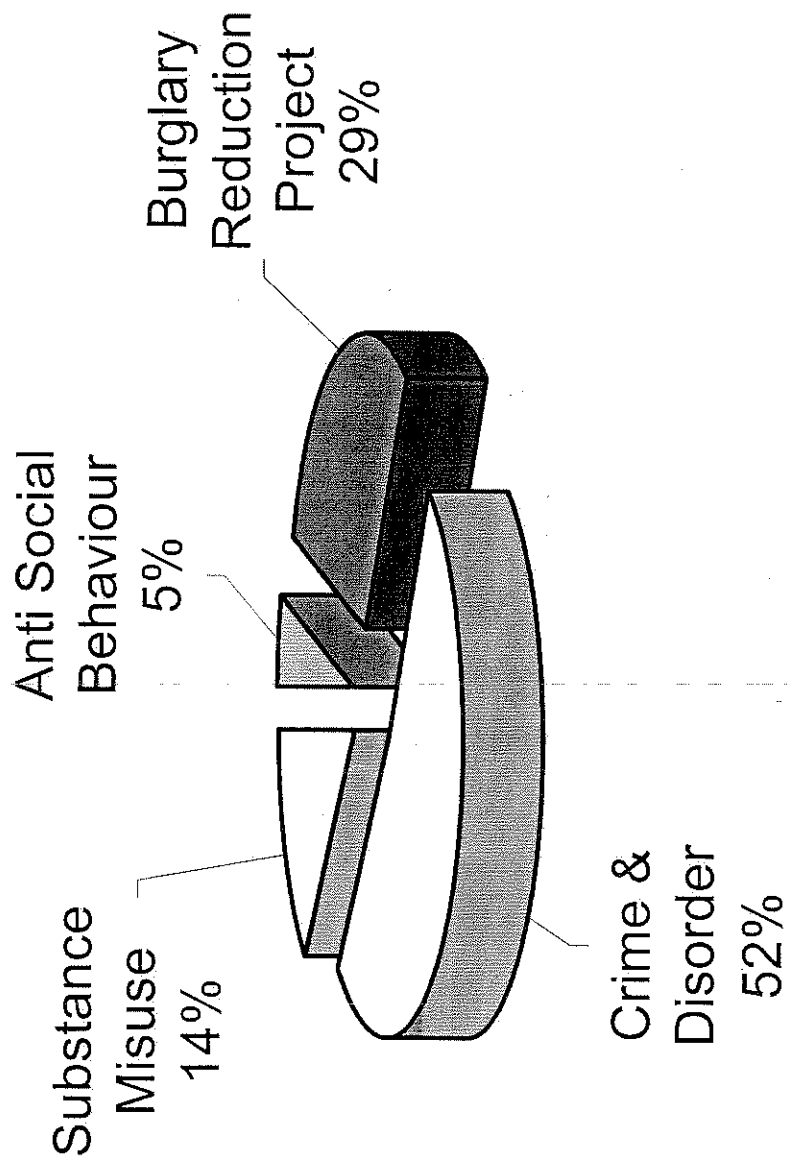
## Corporate Costs - 2004/05 Actual Net Expenditure (£2,356,490)



# CHART 5

# CHART 6

## Crime & Disorder - 2004/05 Actual Net Expenditure (£161,027)



# CHART 6

# CHART 7

# CHART 7

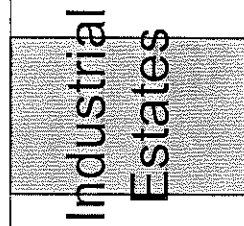
## Economic Development - 2004/05 Actual Net Expenditure (£80,935)

171%



Economic  
Devt  
Promotions

-79%



Industrial  
Estates

22%



Markets

-6%



Town Centre  
Properties

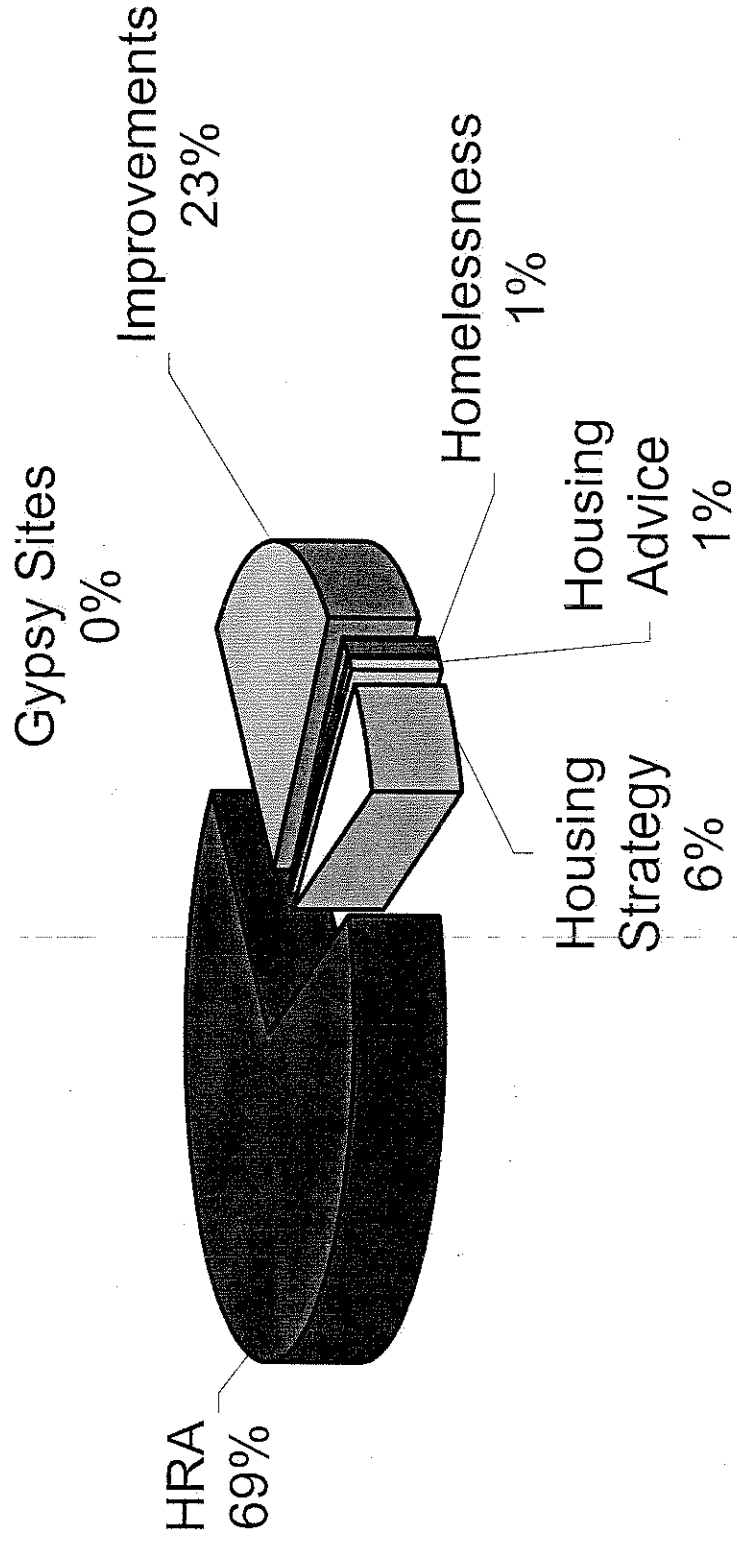
-8%



Miscellaneous  
Properties

# CHART 8

## Good Quality Homes - 2004/05 Actual Net Expenditure (£4,359,444)



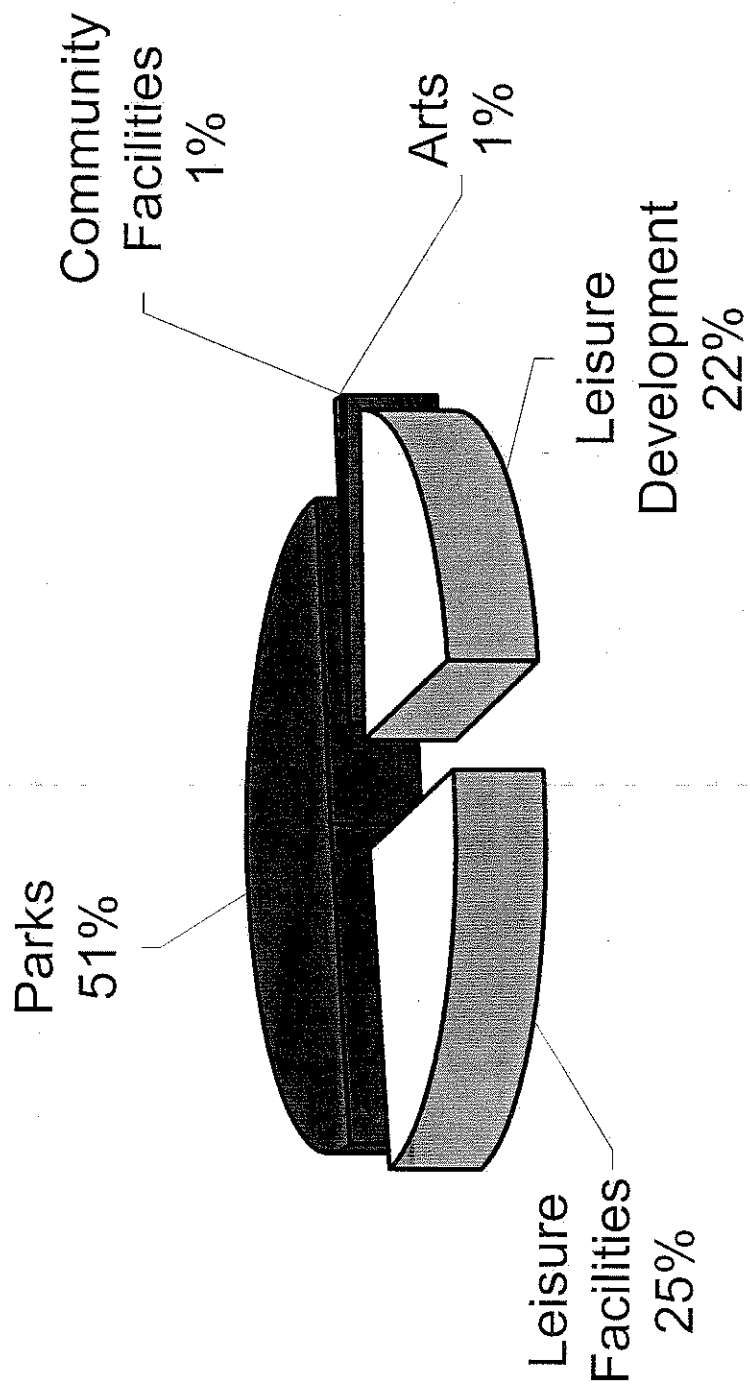
# CHART 8



# CHART 9

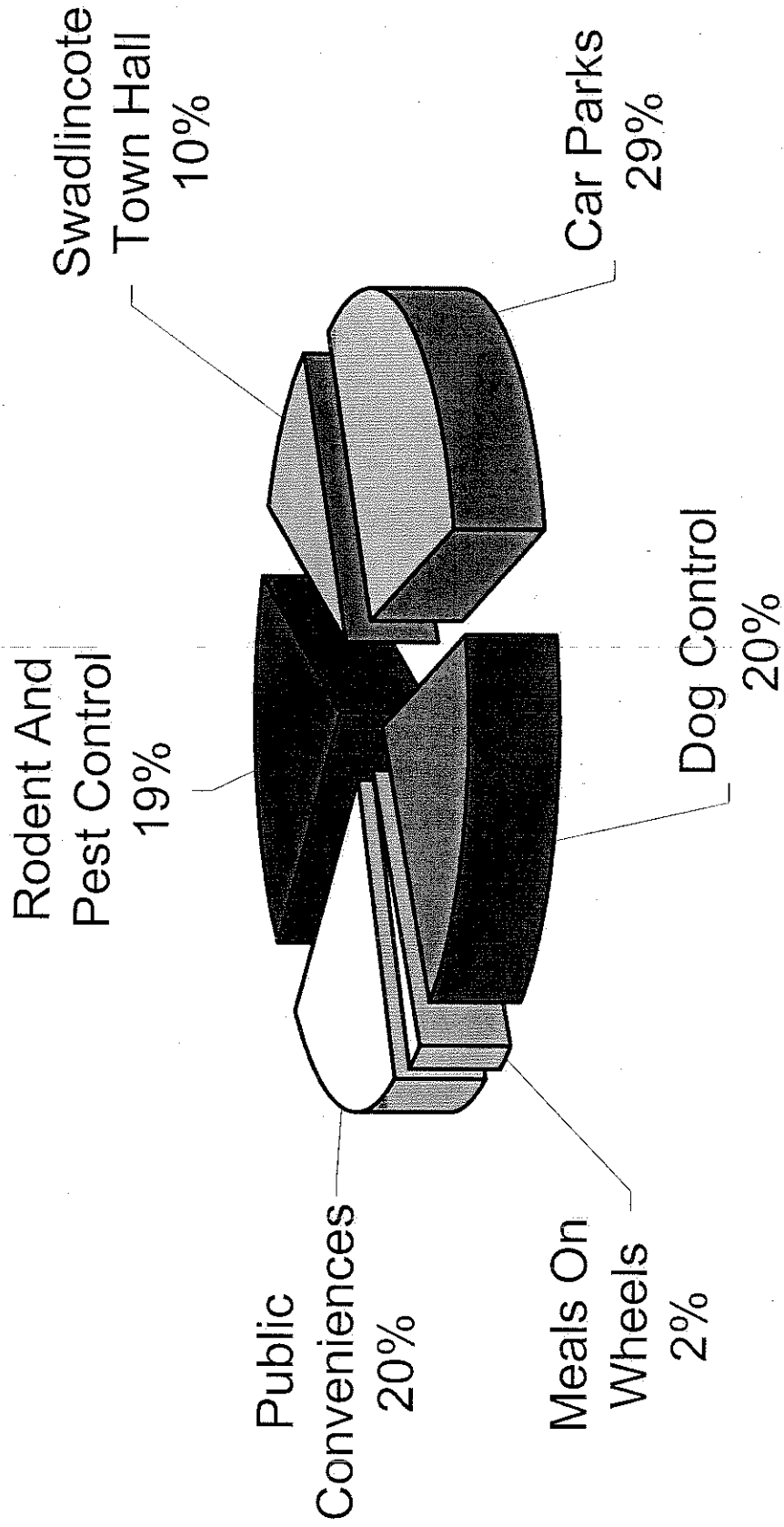
# CHART 9

## Leisure Activities - 2004/05 Actual Net Expenditure (£1,631,164)



# CHART 10

## Other - 2004/05 Actual Net Expenditure (£308,340)

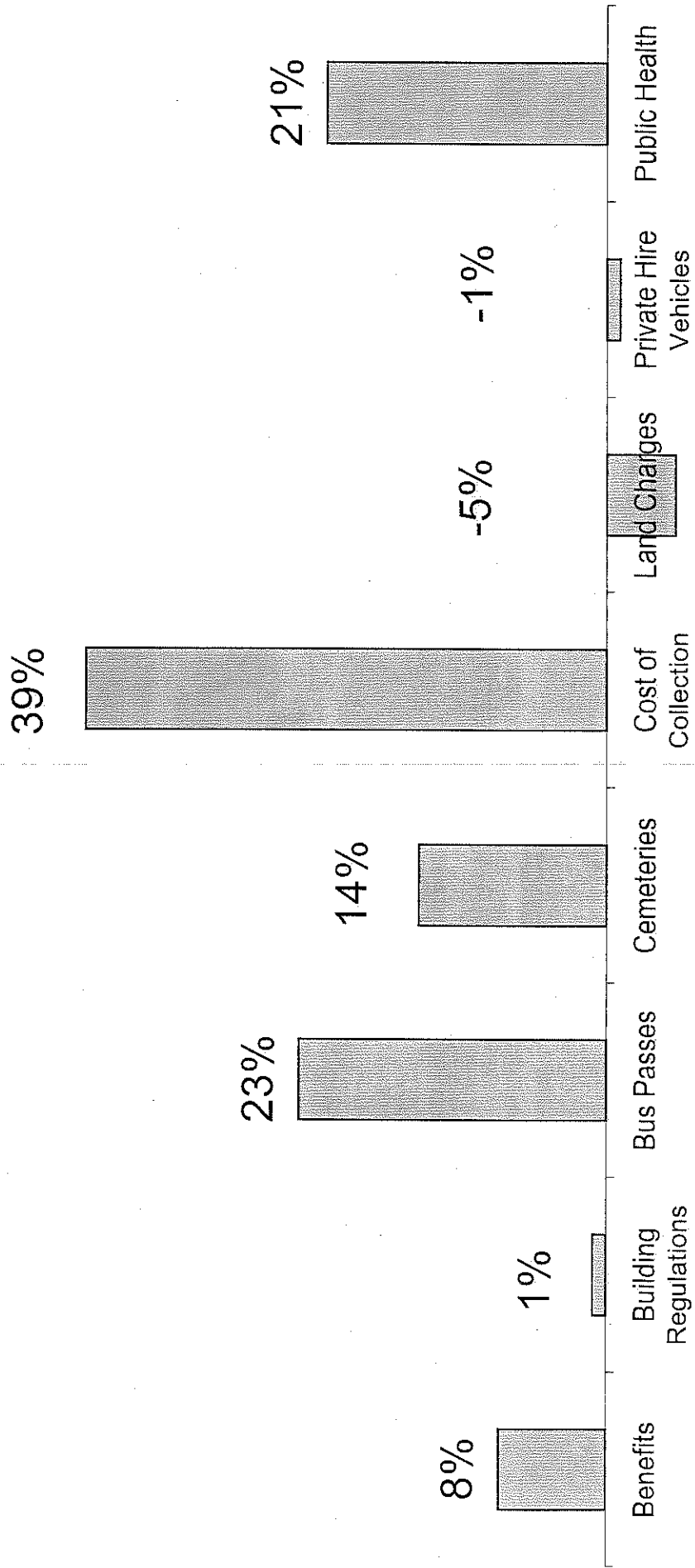


# CHART 10

# CHART 11

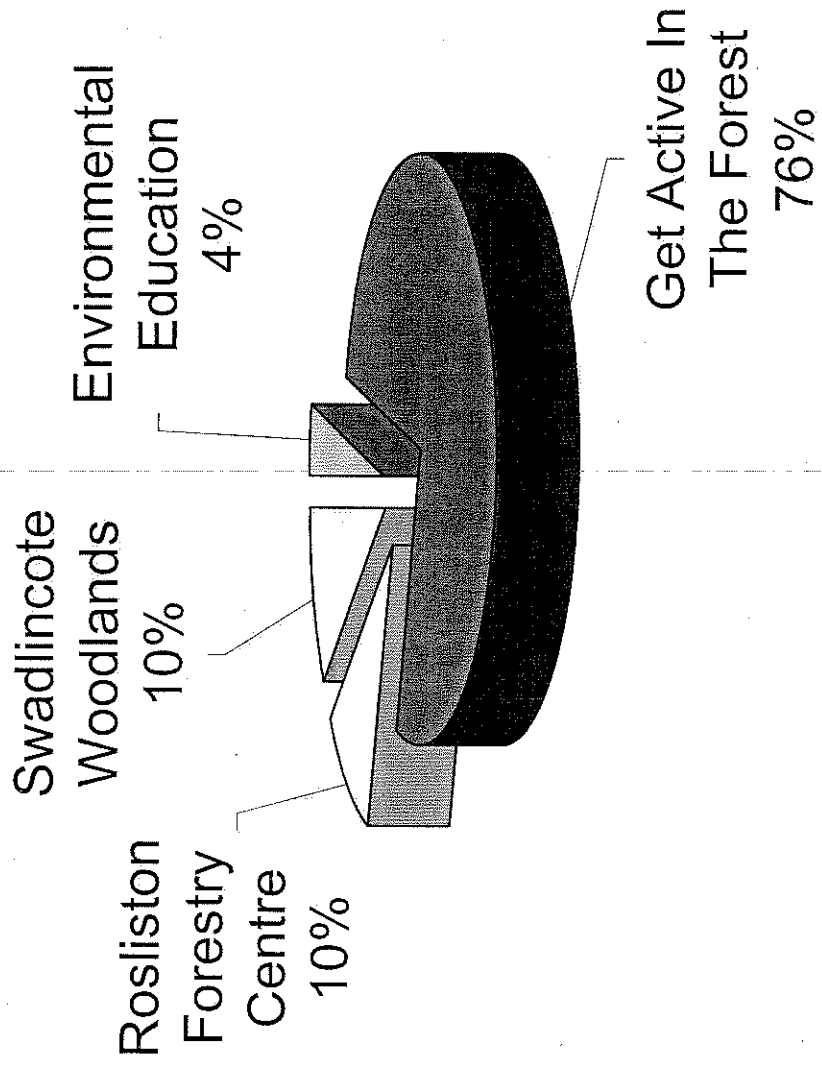
# CHART 11

## Statutory Services - 2004/05 Actual Net Expenditure (£1,116,913)



# CHART 12

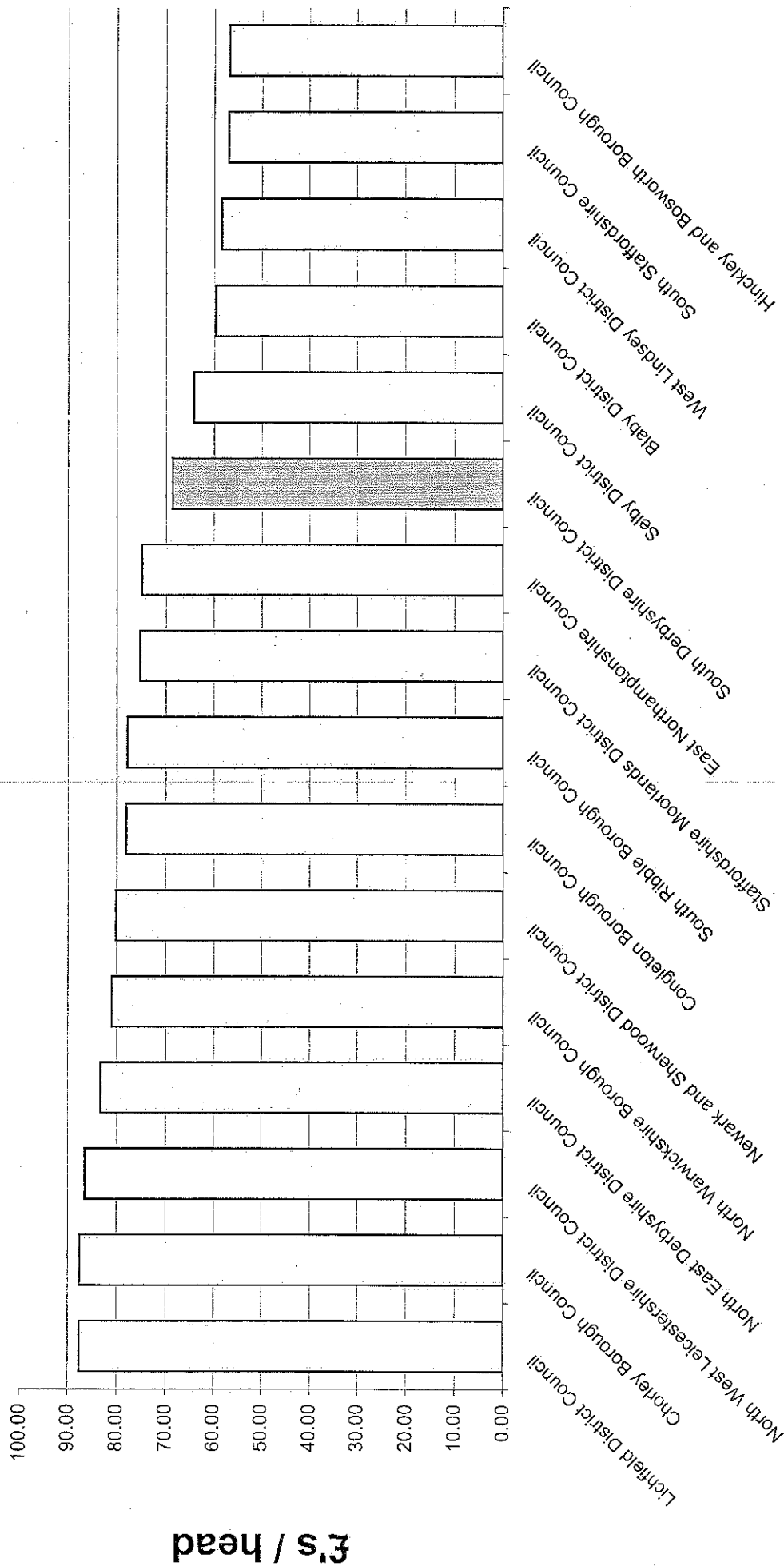
## Supporting the National Forest - 2004/05 Actual Net Expenditure (£809,885)



# CHART 13

# CHART 13

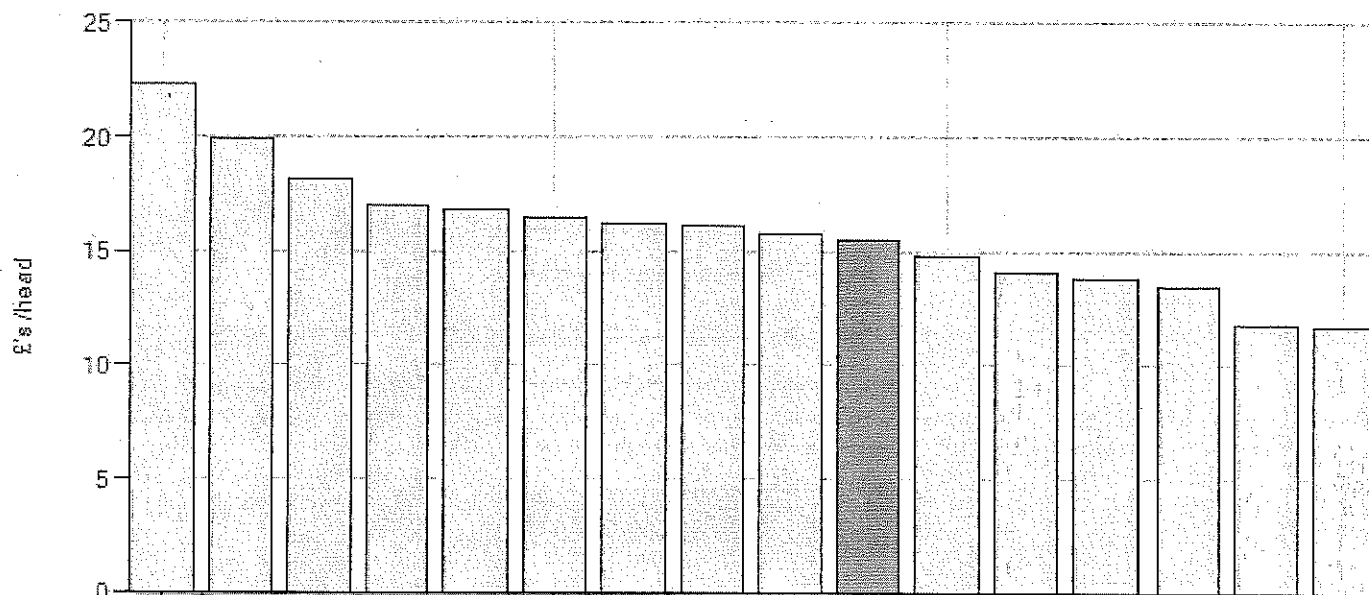
## South Derbyshire District Council & Nearest Neighbours 2003/04 - £'s / head



## South Derbyshire District Council & Nearest Neighbours

# CHART 14

Waste Collection £'s/head 2003/04 - South Derbyshire District Council & Nearest Neighbours

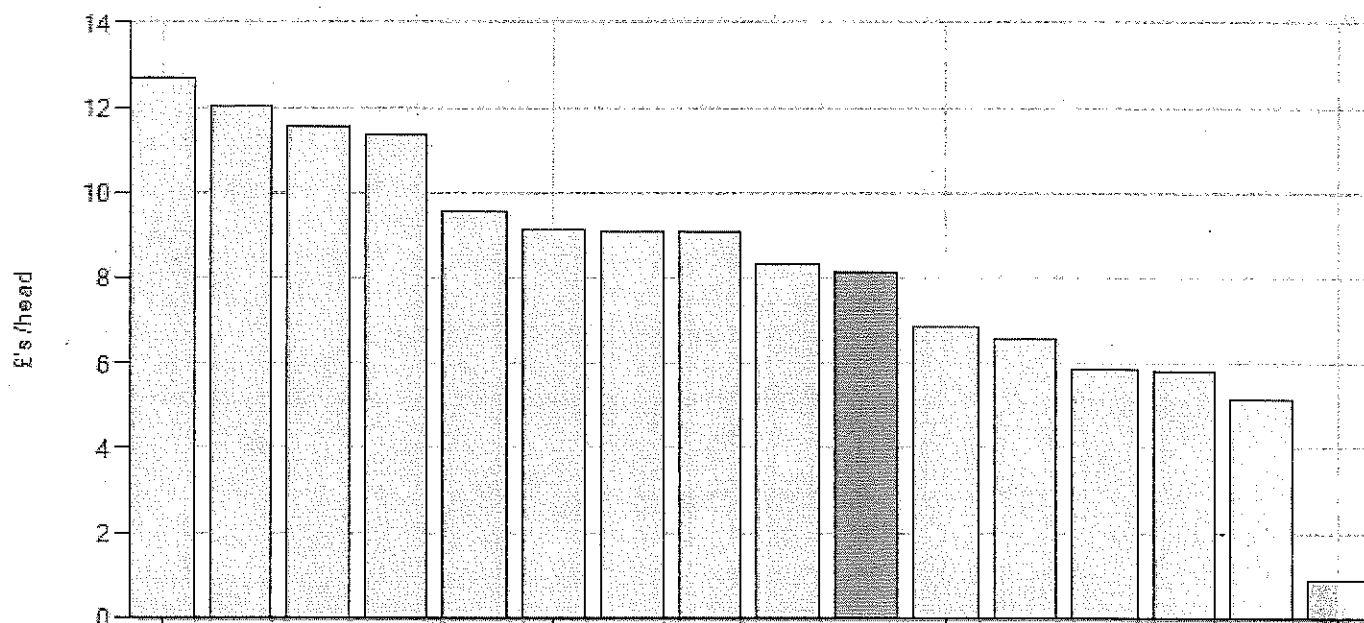


South Derbyshire District Council & Nearest Neighbours

Authority name	2003/04
North East Derbyshire District Council	22.29
West Lindsey District Council	19.89
North West Leicestershire District Council	18.11
Lichfield District Council	17.00
Blaby District Council	16.87
East Northamptonshire Council	16.50
North Warwickshire Borough Council	16.18
Hinckley and Bosworth Borough Council	16.12
Newark and Sherwood District Council	15.78
<b>South Derbyshire District Council</b>	<b>15.49</b>
Chorley Borough Council	14.82
Selby District Council	14.09
South Staffordshire Council	13.82
Staffordshire Moorlands District Council	13.51
South Ribble Borough Council	11.78
Congleton Borough Council	11.71

# CHART 15

Planning Total £'s /head 2003/04 - South Derbyshire District Council & Nearest Neighbours

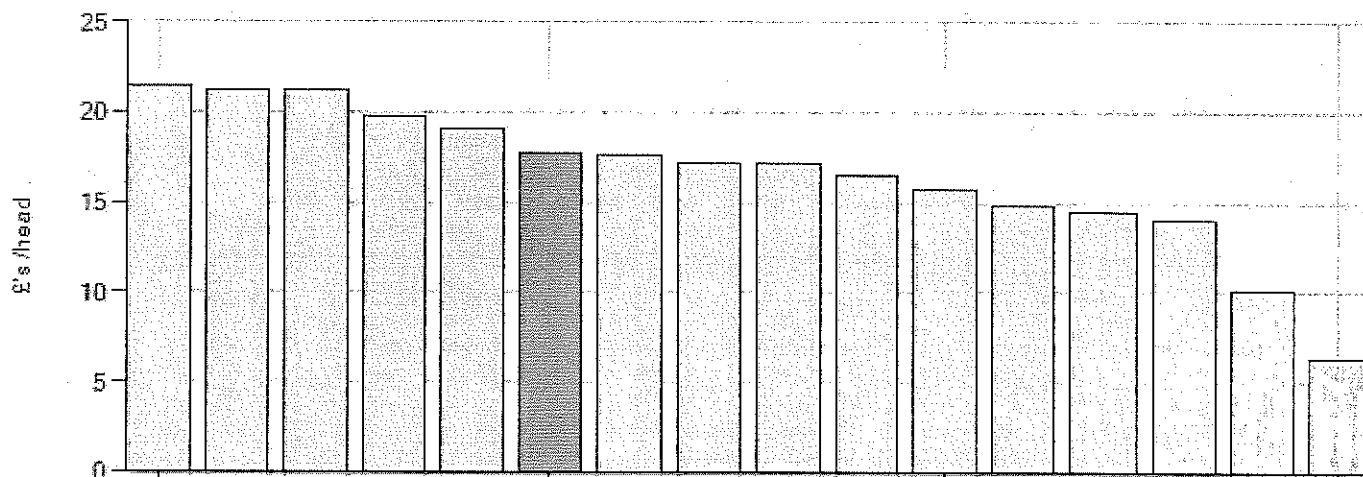


South Derbyshire District Council & Nearest Neighbours

Authority name	2003/04
East Northamptonshire Council	12.69
Lichfield District Council	12.03
Chorley Borough Council	11.55
Newark and Sherwood District Council	11.35
North Warwickshire Borough Council	9.54
Hinckley and Bosworth Borough Council	9.15
North East Derbyshire District Council	9.10
Selby District Council	9.08
South Staffordshire Council	8.31
<b>South Derbyshire District Council</b>	<b>8.14</b>
Blaby District Council	6.86
North West Leicestershire District Council	6.56
Staffordshire Moorlands District Council	5.87
South Ribble Borough Council	5.83
Congleton Borough Council	5.14
West Lindsey District Council	0.89

# CHART 1b

Central Services Corporate & Democratic Core £'s /head 2003/04 - South Derbyshire District Council & Nearest Neighbours



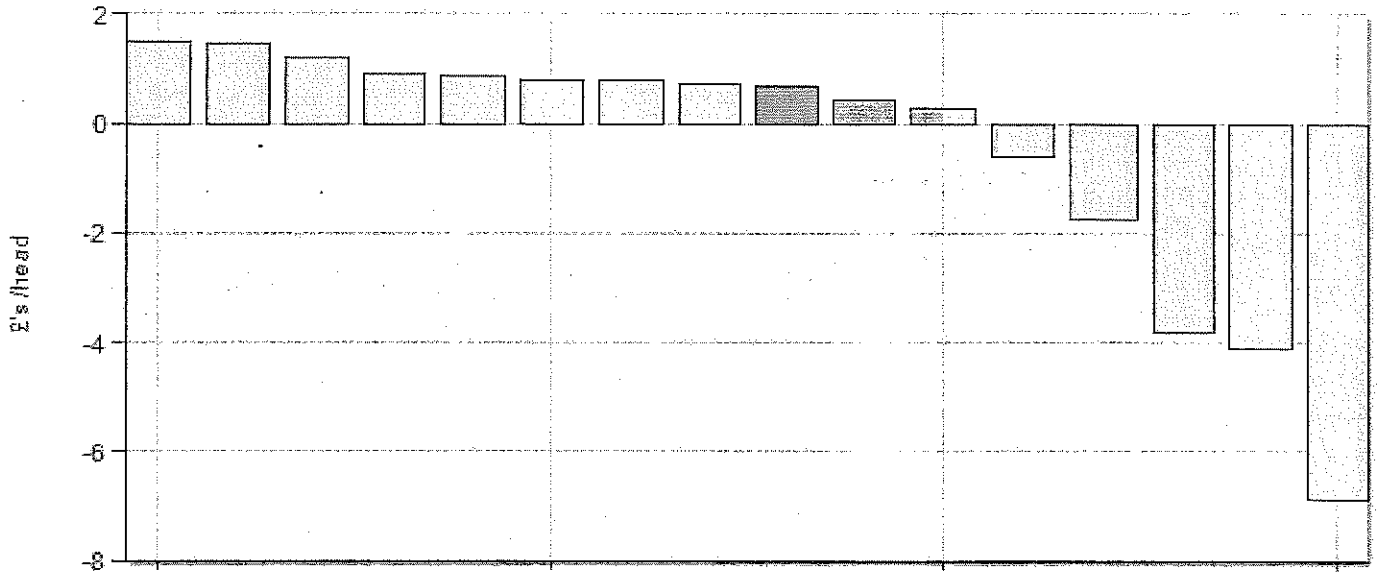
South Derbyshire District Council & Nearest Neighbours

Authority name	2003/04
North Warwickshire Borough Council	21.49
Chorley Borough Council	21.25
Congleton Borough Council	21.24
North West Leicestershire District Council	19.72
South Ribble Borough Council	19.09
<b>South Derbyshire District Council</b>	<b>17.71</b>
Newark and Sherwood District Council	17.66
Selby District Council	17.18
Staffordshire Moorlands District Council	17.15
Lichfield District Council	16.53
West Lindsey District Council	15.73
North East Derbyshire District Council	14.86
Blaby District Council	14.52
East Northamptonshire Council	14.11
Hinckley and Bosworth Borough Council	10.16
South Staffordshire Council	6.33



# Chart 17

Parking £'s /head 2003/04 - South Derbyshire District Council & Nearest Neighbours

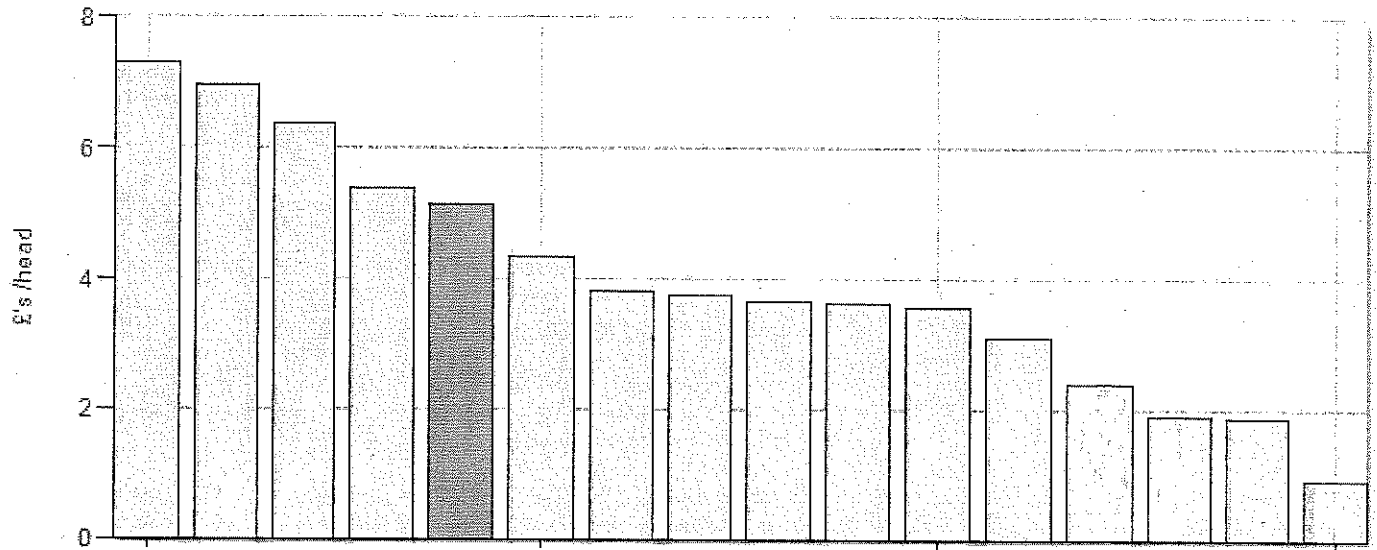


South Derbyshire District Council & Nearest Neighbours

Authority name	2003/04
North West Leicestershire District Council	1.48
Staffordshire Moorlands District Council	1.47
East Northamptonshire Council	1.19
Congleton Borough Council	0.91
West Lindsey District Council	0.87
North East Derbyshire District Council	0.81
North Warwickshire Borough Council	0.79
Blaby District Council	0.74
<b>South Derbyshire District Council</b>	<b>0.67</b>
South Staffordshire Council	0.41
South Ribble Borough Council	0.28
Selby District Council	-0.60
Hinckley and Bosworth Borough Council	-1.73
Newark and Sherwood District Council	-3.81
Chorley Borough Council	-4.10
Lichfield District Council	-6.85

# CHART 18

Total Housing Services £'s /head 2003/04 - South Derbyshire District Council & Nearest Neighbours

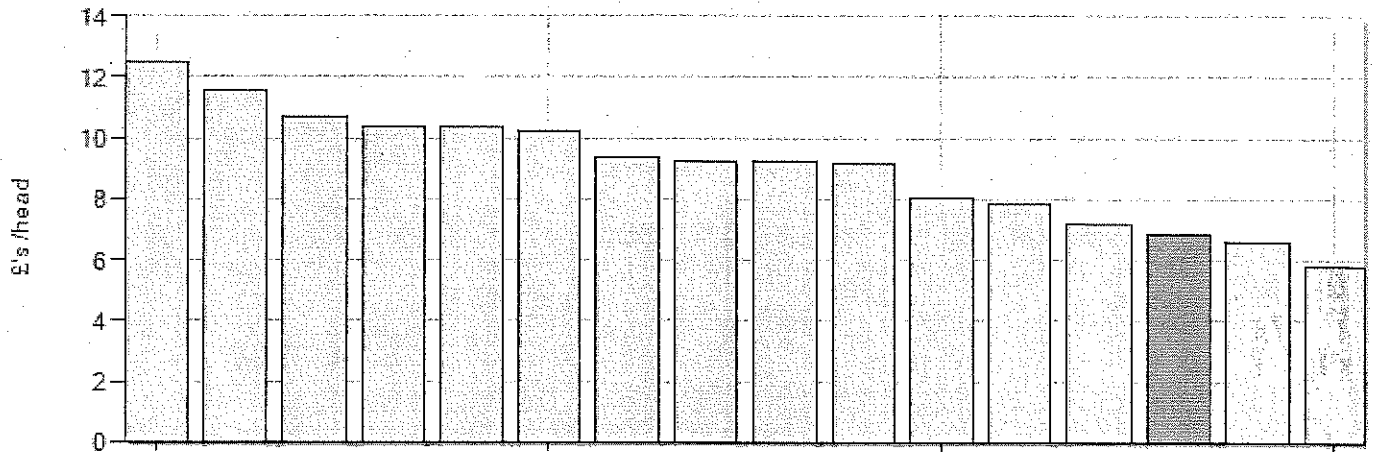


South Derbyshire District Council & Nearest Neighbours

Authority name	2003/04
Congleton Borough Council	7.29
East Northamptonshire Council	6.96
Lichfield District Council	6.38
South Ribble Borough Council	5.40
<b>South Derbyshire District Council</b>	<b>5.13</b>
Blaby District Council	4.34
West Lindsey District Council	3.83
Staffordshire Moorlands District Council	3.74
North West Leicestershire District Council	3.65
Chorley Borough Council	3.63
North East Derbyshire District Council	3.57
South Staffordshire Council	3.10
Hinckley and Bosworth Borough Council	2.40
North Warwickshire Borough Council	1.89
Selby District Council	1.86
Newark and Sherwood District Council	0.93

# CHART 19

Environmental & Public Health Services £'s/head 2003/04 - South Derbyshire District Council & Nearest Neighbours

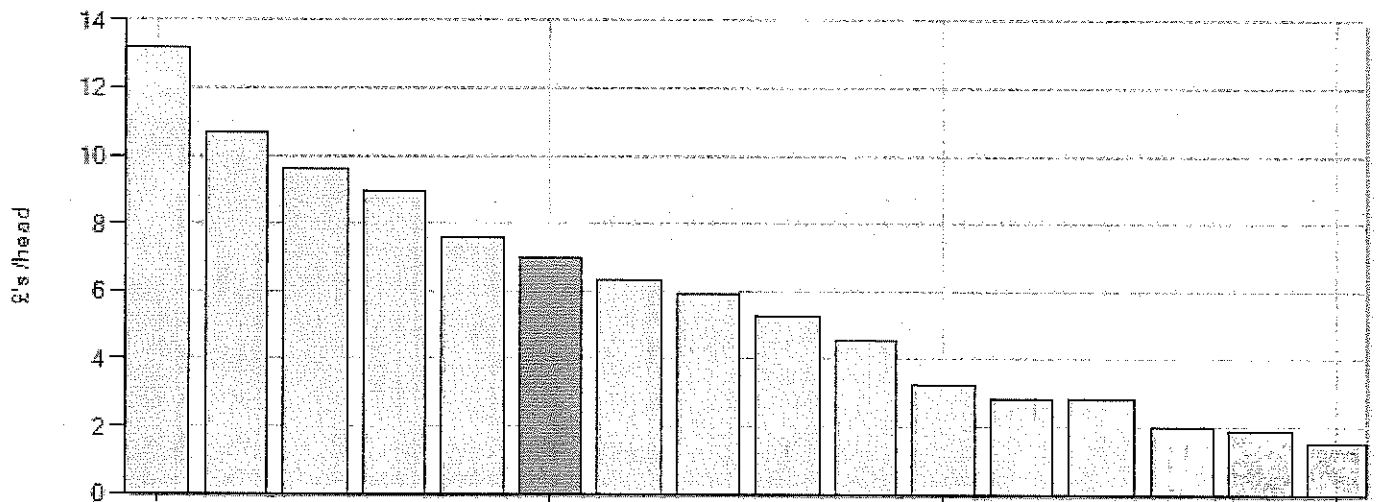


South Derbyshire District Council & Nearest Neighbours

Authority name	2003/04
Newark and Sherwood District Council	12.49
North West Leicestershire District Council	11.58
North Warwickshire Borough Council	10.70
Selby District Council	10.40
Chorley Borough Council	10.35
East Northamptonshire Council	10.24
Hinckley and Bosworth Borough Council	9.41
Staffordshire Moorlands District Council	9.24
Lichfield District Council	9.22
South Staffordshire Council	9.19
South Ribble Borough Council	8.06
Blaby District Council	7.88
Congleton Borough Council	7.18
<b>South Derbyshire District Council</b>	<b>6.89</b>
West Lindsey District Council	6.60
North East Derbyshire District Council	5.79

# CHART 20

Parks & Open Spaces £'s /head 2003/04 - South Derbyshire District Council & Nearest Neighbours

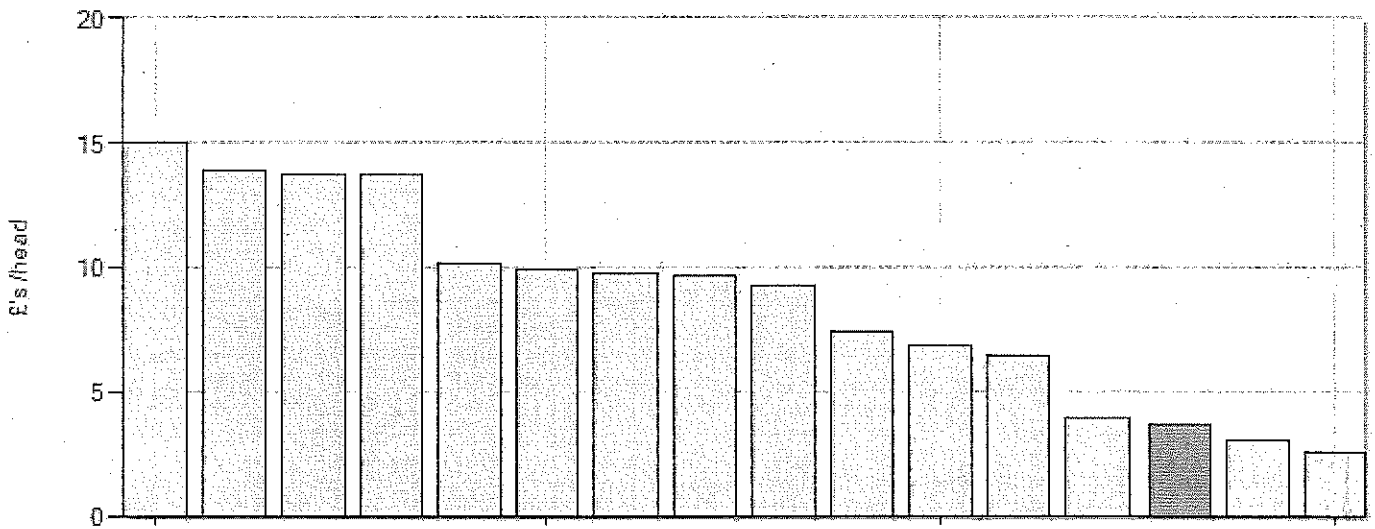


South Derbyshire District Council & Nearest Neighbours

Authority name	2003/04
South Ribble Borough Council	13.17
Chorley Borough Council	10.71
Congleton Borough Council	9.64
Staffordshire Moorlands District Council	8.98
Lichfield District Council	7.58
<b>South Derbyshire District Council</b>	<b>6.97</b>
South Staffordshire Council	6.32
Hinckley and Bosworth Borough Council	5.91
Newark and Sherwood District Council	5.28
North West Leicestershire District Council	4.57
Blaby District Council	3.25
North East Derbyshire District Council	2.86
Selby District Council	2.85
West Lindsey District Council	2.03
East Northamptonshire Council	1.86
North Warwickshire Borough Council	1.53

# CHART 21

Sport & Recreation £'s /head 2003/04 - South Derbyshire District Council & Nearest Neighbours

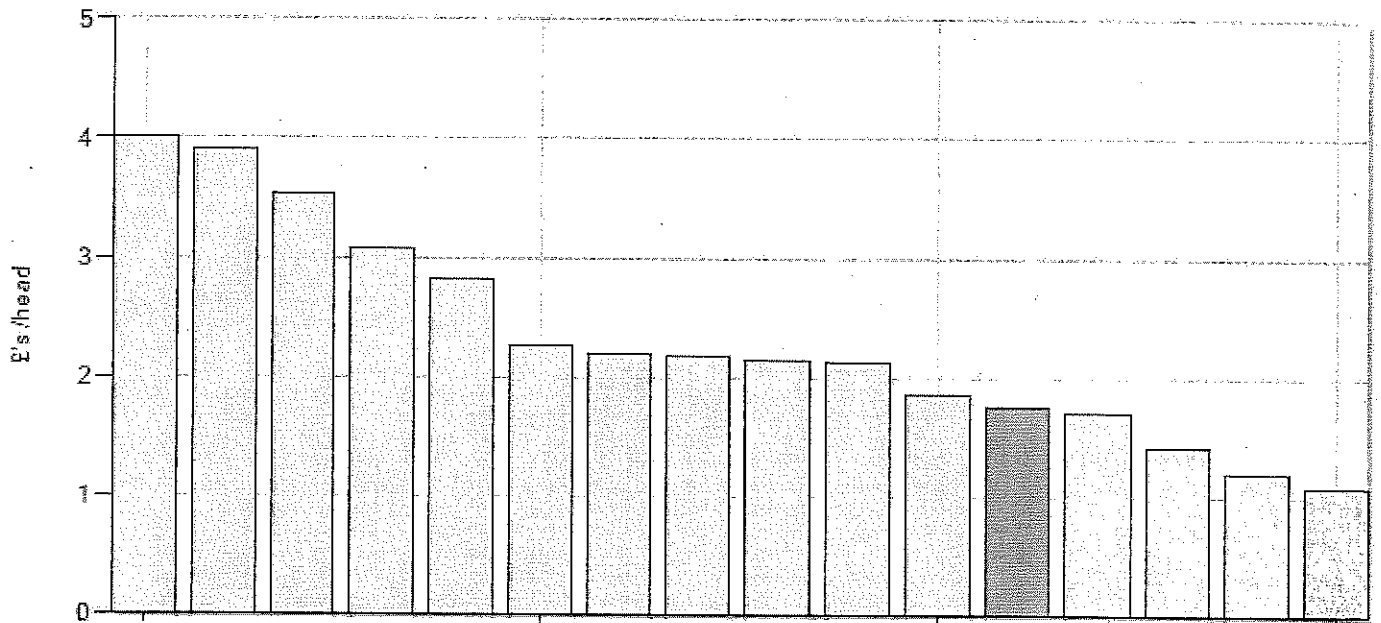


South Derbyshire District Council & Nearest Neighbours

Authority name	2003/04
North Warwickshire Borough Council	15.02
North East Derbyshire District Council	13.86
North West Leicestershire District Council	13.75
Newark and Sherwood District Council	13.75
Congleton Borough Council	10.15
South Ribble Borough Council	9.89
Staffordshire Moorlands District Council	9.75
Lichfield District Council	9.69
Chorley Borough Council	9.31
South Staffordshire Council	7.45
East Northamptonshire Council	6.82
Selby District Council	6.47
West Lindsey District Council	3.90
<b>South Derbyshire District Council</b>	<b>3.73</b>
Hinckley and Bosworth Borough Council	3.04
Blaby District Council	2.53

# CHART 22

Community Safety £'s/head 2003/04 - South Derbyshire District Council & Nearest Neighbours

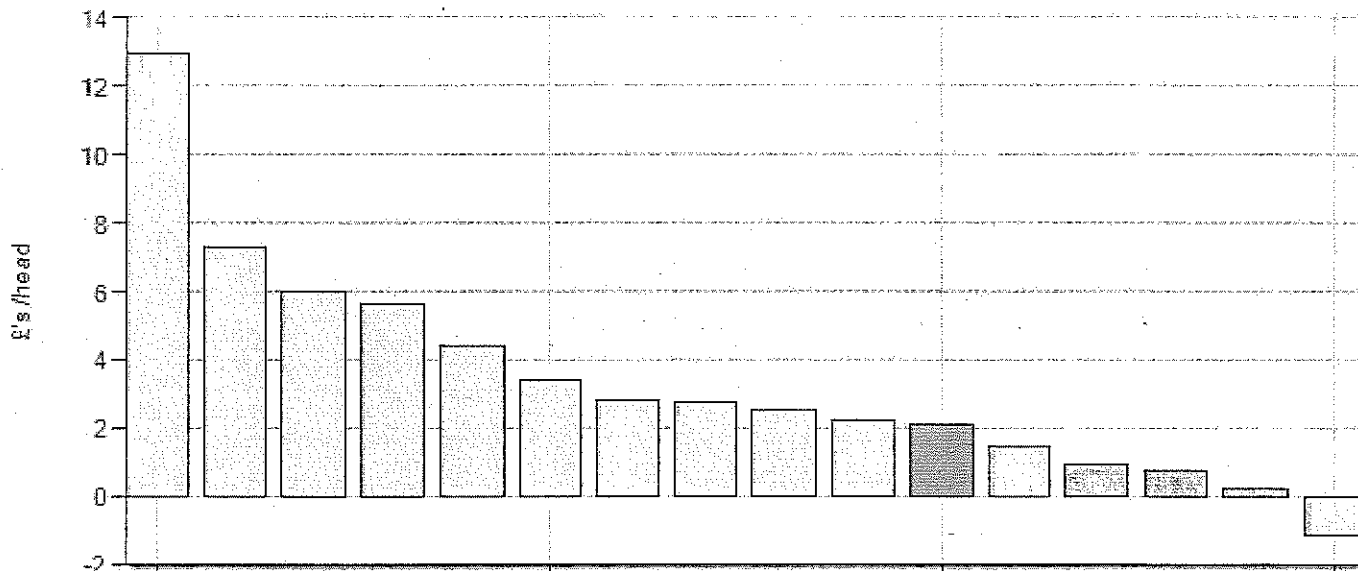


South Derbyshire District Council & Nearest Neighbours

Authority name	2003/04
Chorley Borough Council	4.01
Congleton Borough Council	3.91
Hinckley and Bosworth Borough Council	3.54
Lichfield District Council	3.07
North East Derbyshire District Council	2.82
Newark and Sherwood District Council	2.27
West Lindsey District Council	2.20
Selby District Council	2.18
Staffordshire Moorlands District Council	2.14
South Ribble Borough Council	2.13
South Staffordshire Council	1.86
<b>South Derbyshire District Council</b>	<b>1.76</b>
East Northamptonshire Council	1.70
North West Leicestershire District Council	1.41
Blaby District Council	1.20
North Warwickshire Borough Council	1.08

# CHART 23

Economic & Community Development £'s /head 2003/04 - South Derbyshire District Council & Nearest Neighbours



South Derbyshire District Council & Nearest Neighbours

Authority name	2003/04
Lichfield District Council	12.96
North East Derbyshire District Council	7.27
Chorley Borough Council	5.98
North West Leicestershire District Council	5.65
Newark and Sherwood District Council	4.40
Staffordshire Moorlands District Council	3.43
East Northamptonshire Council	2.82
North Warwickshire Borough Council	2.73
West Lindsey District Council	2.50
South Ribble Borough Council	2.24
<b>South Derbyshire District Council</b>	<b>2.12</b>
Blaby District Council	1.46
Congleton Borough Council	0.92
Selby District Council	0.73
South Staffordshire Council	0.20
Hinckley and Bosworth Borough Council	-1.15

